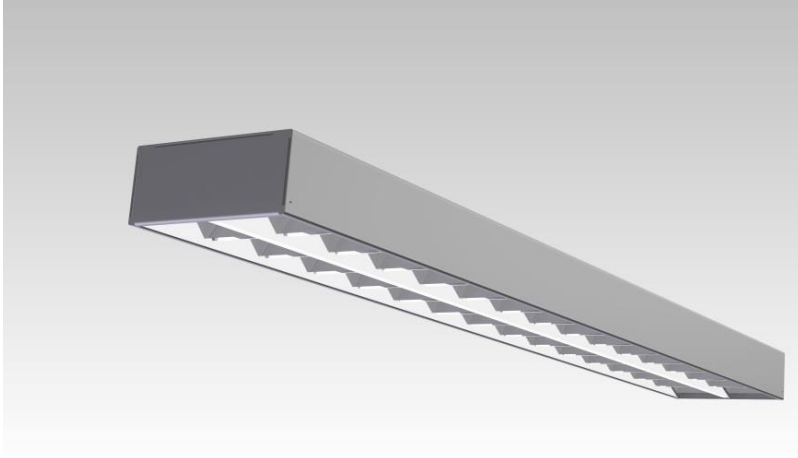


LR1000UW

5000lm, 100000h, 50W, 4000K

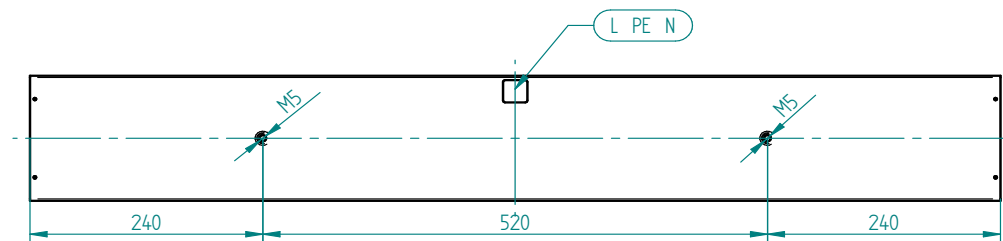


- 230VAC, 50Hz, 50W
- No startup current surge
- Light output min 5000lm
- CRI 80, neutral white
- Efficacy 100+ lm/W
- Working temperature -30..+45°C
- IP40
- weight 2.0 kg
- Warranty 5 a, useful life >15years
- Fullfills CE, EN55015, EN61347, EN61547 requirements
- Dimensions 1000x140x60

LR1000UW is a high efficacy Cree SiC LED based luminaire for high bay, storage and retail area lighting. Light distribution and flux output enables direct replacement of 130W fluorescent luminaires. Replacement gives better light quality, lowers power requirements and eliminates tube replacement due to degradation. Light is totally flicker – free and is safe to use in rooms with rotating equipment or TV screens.

Integrated power supply draws perfectly sinusoidal current and has high power factor. Conductive and radiative emissions are better than required by EN standards. Power surge at startup is non-existent so power lines and fuses can be accurately dimensioned for optimal cost and high safety.

Polished aluminium based reflective optics has high efficacy and strictly confined light diagram. This reduces blinding effect and lowers ceiling area illumination, so that overhead technical communications (power rails, ventilation equipment etc.) are less visible and disturbing. Output diagram is cosine-corrected to get flat lighting under lamp.



Fixing holes are compatible with most luminaire fixing rails. Use M5 x 20 bolts, in custom locations assure that minimum 15mm of thread is engaged in the luminaire. Do not overtighten. Use washers if rail cutouts are too big for bolt head. Do not use long bolts, as these may damage reflector.

Connect wire to plug. Always use PE conductor to fulfill EN requirements !

Turn on the power. Lamp should light up in about 0.5s. If either startup time is long, startup is immediate, there is flicker or light is dim; then power supply is faulty. Contact the supplier for warranty replacement.

When doing installation, do not stare directly at the light from close distances. If there is a need to check individual LED element conditions, use sunglasses or other eye protective devices.

Dripping water on the luminaire is not allowed. If uninstalled luminaires are stored in cold warehouse and brought into a warm room, don't power up immediately. Let them warm up overnight before applying power to avoid condensation problems.

LR1000UW

5000lm, 100000h, 50W, 4000K

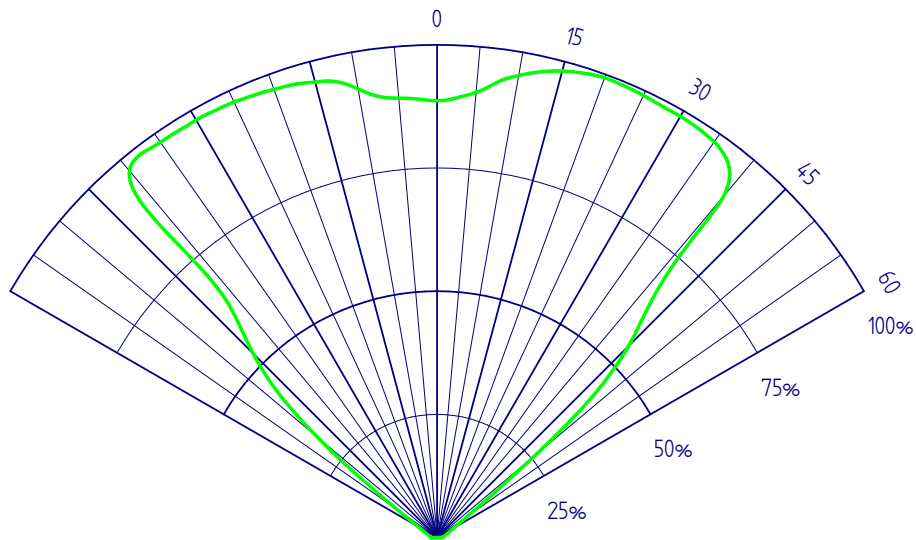
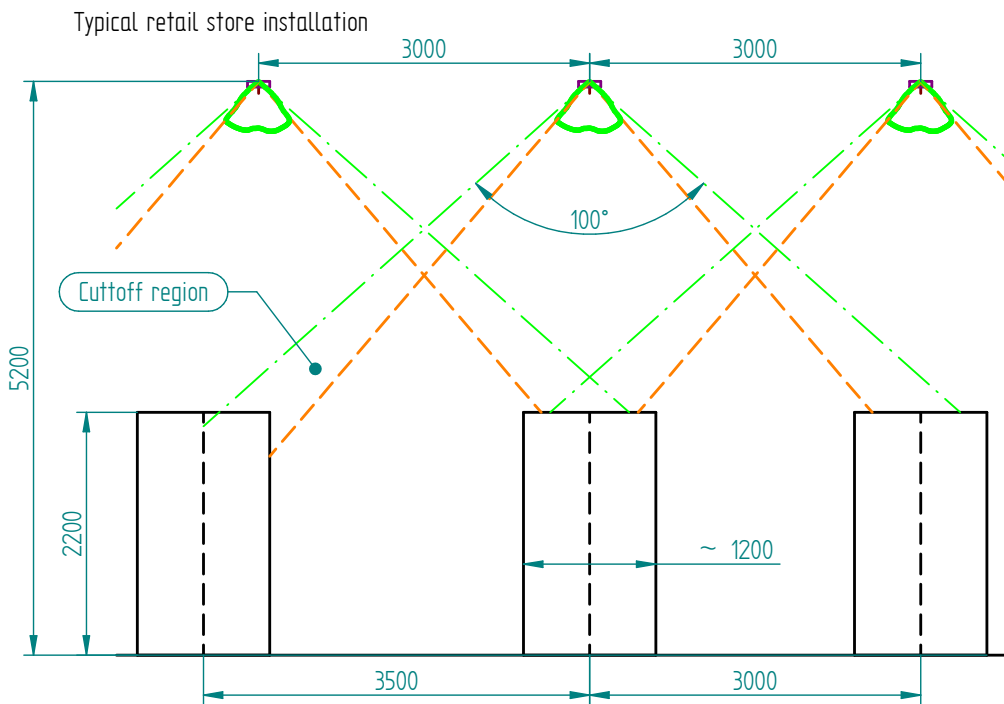


Figure 1. LR1000UW Light distribution curve. Sharp cutoff at about +/-50 degrees.



Wide angle gives good proportion of horizontal rays. Characteristics are optimized to compensate cosine dropoff at off-center angles. No bright spot directly under lamp.

Figure 2. Typical case of a retail store installation