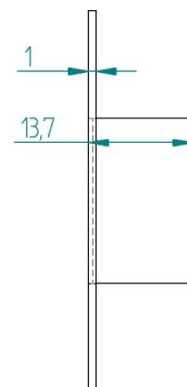
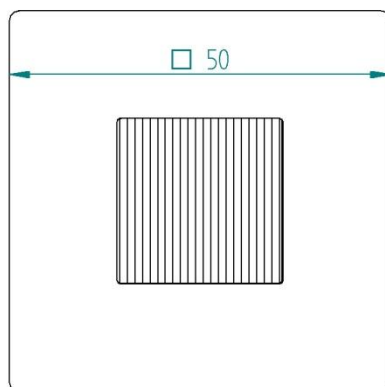
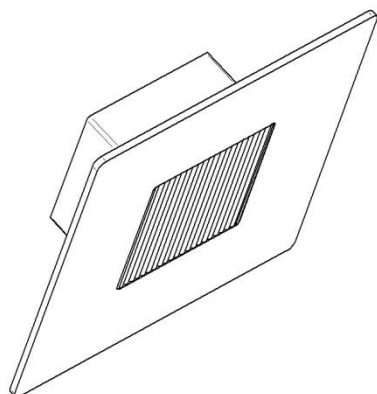




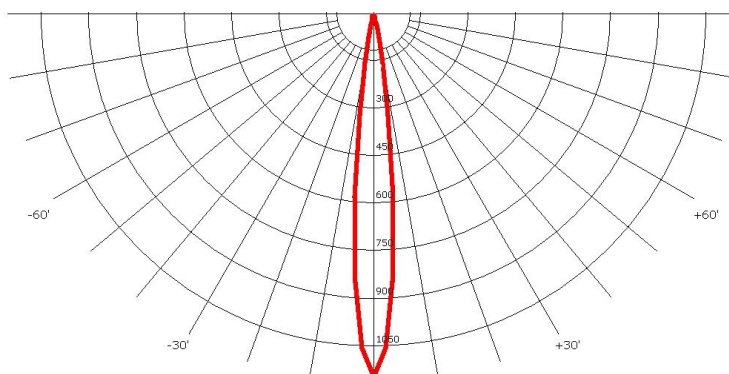
reclen

100lm, 350mA, 50000h, 1W, 8pch



„Reclen“ is a miniature, narrow beam light for decorative lighting of stairs, floors and small objects. Installation by spring, double-sided tape or glue. For stairs illumination install light 20..30mm from step surface. If stairs are wider than 2meters, use two lamps for each step. For floor illumination install 2-3 lamps per meter. If double-sided tape (preferrably preinstalled) will be used, degrease surfaces carefully. Use spring mount for oiled wood. Maximum working current 350mA.

- power 1W, 350mA
- 100 lumens
- beam angle +-7' (50%)
- 8 tk per power supply
- surface temperature 20..50°C
- installation hole 32..42mm
- glue, ds tape or spring
- wire length 200mm



Beam characteristics(cd), 350mA, coolwhite

RECLen - XX - II

installation

SP – spring

DS – double-sided tape GL – glue

light colour

CW – coolwhite(100lm)

WW – warmwhite(80lm) Y – amber(30lm)

R – red(30lm)

G – green(67lm)

B – blue(30lm)

stock products: RECLen-CW-SP, RECLen-WW-SP, RECLen-CW-DS, RECLen-WW-DS

recommended	lacquered wood, ceramic tiles, metal	oiled wood, tapestry, rough surfaces
light surfaces	RECLen-CW-DS	RECLen-CW-SP
dark surfaces	RECLen-WW-DS	RECLen-WW-SP