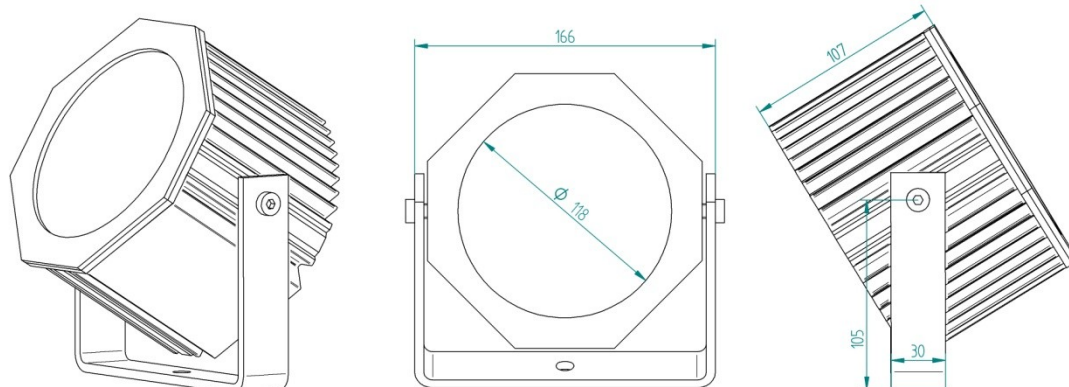




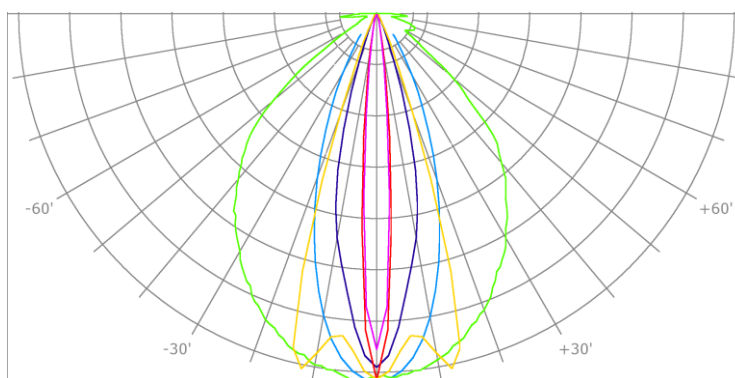
mspot

2500lm, 800mA, 50000h, 40W



„MSpot“ is a powerful and rugged lamp for facade, area and object (trees, statues, entrances) lighting. It is supplied with power converter. Installation angle is adjustable. Front glass is made of impact-proof polycarbonate. Power cord is fixed (with metal cable gland) or with M12 connector (for large installations). Light characteristic is choosable (look at the diagram below). Since this lamp has two groups of LEDs, combination output is possible – i.e. wide angle for general lighting and narrow for entrance lighting. Also, two colours in separate groups are possible – please specify when ordering !

- power 40W, 800mA
- 2400 lumens
- various characteristics
- with power supply
- case temp. 20..50°C
- mounting foot, hole d=10mm
- connector or free cable
- voltage 230VAC, 50Hz
- IP67
- mass (lamp) 1.8kg



Light characteristics (cd), 800mA, coolwhite
 CF(540cd), W(3000cd), M(7000cd), SS(40000cd), OX(18000cd), OY

MSPOT – XX – LL– FF – OO

	optional		
	CON – connector (Binder 4pole, M12), wire 1m	WR – free cable l = 1m	
	SW – custom wire length and type		
	case finish		
PW – white epoxy paint	G – grey epoxy paint		
CT – custom by RAL code (specify !)			
optics (light characteristics)			
CF – diffuse	W – wide(±19°)	M – medium (±13°)	
SS – narrow (±14°)	O – oval (±3° / ±20°)	CC – combo (specify !)	
light colour			
CW – coolwhite(2500lm)	WW – warmw.(2000lm)	Y – amber(400..750lm)	
R – red(750lm)	G – green(1600lm)	B – blue(750lm)	

Recommended: facades MSPOT-CW-O, general MSPOT-CW-W, object lighting MSPOT-CW-SS